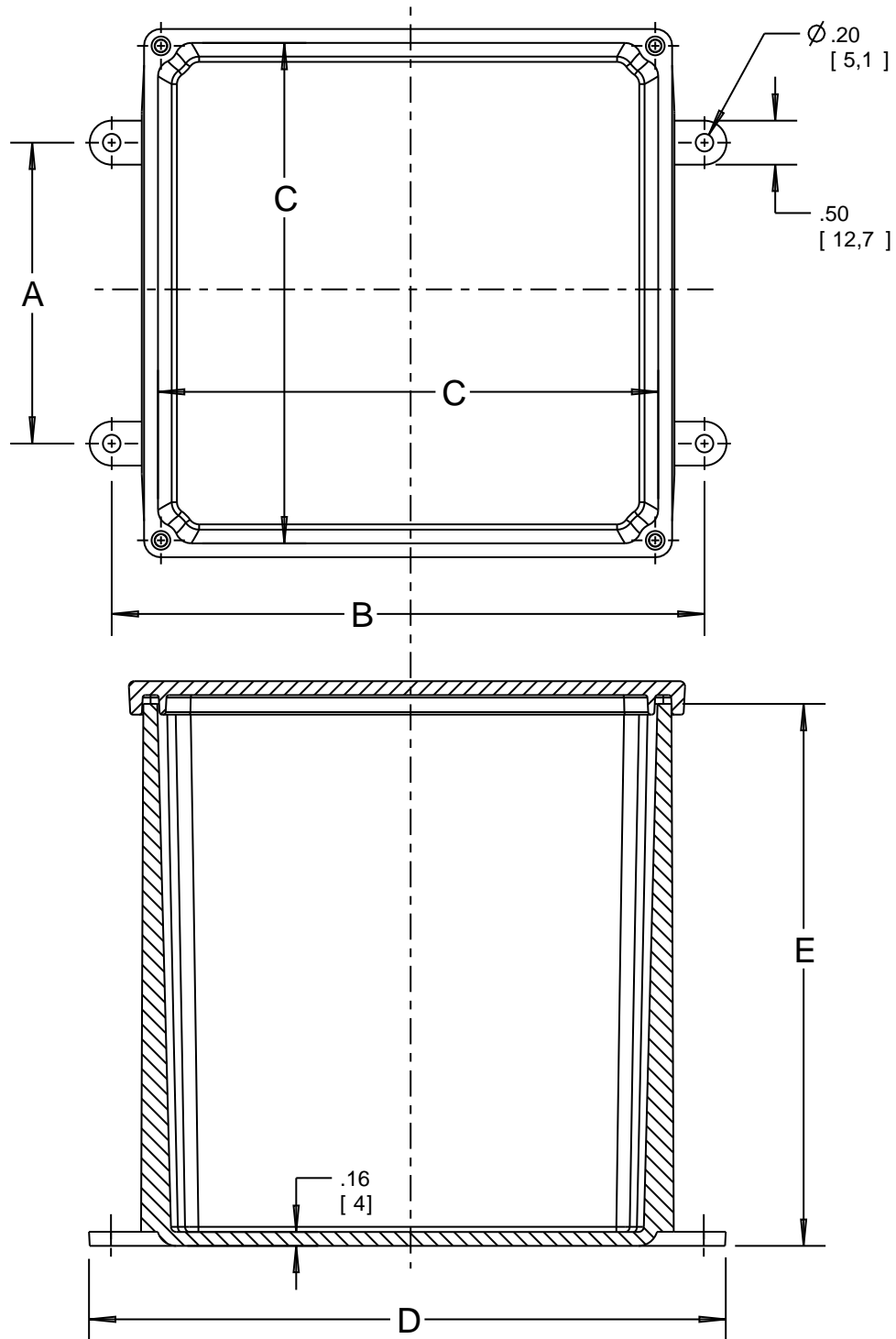


VIEW SHOWN WITHOUT
COVER FOR CLARITY



SIZE	MOLDED NON-METALLIC ENCLOSURES				
	A	B	C	D	E
E989PPJ (5X5X2)	3.12 [79.2]	5.62 [142.7]	4.68 [118.9]	6.12 [155.4]	2.00 [50.8]
E987R (6X6X4)	3.42 [86.8]	6.74 [171.2]	5.68 [144.3]	7.24 [183.8]	4.00 [101.6]
E989PPP (6X6X6)	3.42 [86.8]	6.74 [171.2]	5.68 [144.3]	7.24 [183.8]	6.00 [152.4]

- NOTES:
 1. MATERIAL: NORYL
 2. NEMA TYPE: 4/4X, 6P
 3. DIMENSIONS ARE INCH/MILLIMETERS.

TITLE: MOLDED NON-METALLIC ENCLOSURES		DRN. DATE RG 9-15-94	PART NO.: SEE CHART	
LAMSON & SESSIONS	ALL DRAWINGS ARE THE PROPERTY OF LAMSON & SESSIONS AND SHALL NOT BE REPRODUCED IN ANY FORM WITHOUT LAMSON & SESSIONS' APPROVAL AND ARE TO BE PROMPTLY RETURNED UPON REQUEST	APP. DATE DM 9-28-94	DRAWING NO.: AC01978	REV. B